

12 P		12 POLI / POLES 500 rpm - V 230/400/50 Hz - dalla grandezza / from size 160 → 400/690/50 Hz																											
TIPO TYPE	Potenza Power		rpm	In 400 V A	Rend% Eff.%	Cosφ p.f.	Ia In	Ca Cn	Cmax Cn	Cn Nm	J kgm²	Peso Weight Kg	TIPO TYPE	DC				AC				DC - S				POS.DC			
	kw	hp												CF	Cicli/h Cycles/h	PB	Peso Weight Kg	CF	Cicli/h Cycles/h	PB	Peso Weight Kg	CF	Cicli/h Cycles/h	PB	Peso Weight Kg	CF	Cicli/h Cycles/h	PB	Peso Weight Kg
														Nm	∅o	Watt	Kg	Nm	∅o	VA	Kg	Nm	∅o	Watt	Kg	Nm	∅o	Watt	Kg
T71C	0,09	0,12	420	0,60	33,9	0,61	1,5	1,9	2,1	2,00	0,0012	6,5	AT71C	4	21500	20	8,0	5	21500	40	8,0	4	21500	18	8,0	7,5	21500	11,5	7,1
T80C	0,18	0,25	430	1,00	42,0	0,62	1,8	1,4	1,6	4,10	0,0030	11,0	AT80C	8	21500	25	14,0	10	21500	70	14,0	9	21500	25	14,0	15,0	21500	16,0	12,1
T90L	0,25	0,35	420	1,80	41,6	0,49	1,4	1,4	1,3	5,80	0,0050	15,0	AT90L	16	27000	30	19,0	20	27000	120	19,0	10	27000	25	18,0	30,0	27000	21,0	17,0
T100B	0,37	0,50	470	2,10	53,8	0,48	2,4	2,2	2,6	7,60	0,0100	21,0	AT100B	32	13500	40	25,0	40	13500	160	29,0	12	13500	35	25,0	60,0	13500	28,0	24,5
T100BL	0,55	0,75	460	2,70	57,7	0,52	2,5	1,7	2,3	11,70	0,0130	23,0	AT100BL	32	11500	40	27,0	40	11500	160	32,0	12	11500	35	27,0	60,0	11500	28,0	26,5
T112B	0,75	1,00	470	3,10	64,9	0,55	2,7	1,1	1,9	15,70	0,0160	28,0	AT112B	60	11000	50	35,0	60	11000	300	37,0	13	11000	35	33,0	60,0	11000	28,0	34,0
T132S	1,10	1,50	470	4,20	66,3	0,58	2,4	0,9	1,6	23,00	0,0300	55,0	AT132S	80	2000	55	66,0	90	2000	500	69,0	17	2000	35	64,0	120,0	2000	38,0	67,0
T132M	1,50	2,00	460	5,60	67,1	0,59	2,2	0,9	1,4	31,80	0,0380	66,0	AT132M	80	2000	55	79,0	90	2000	500	83,0	17	2000	35	75,0	120,0	2000	38,0	78,0
T132ML	1,85	2,50	455	6,90	63,0	0,62	2,5	1,2	1,7	38,90	0,0470	66,0	AT132ML	80	1900	55	71,0	90	1900	500	72,0	17	1900	35	63,0	120,0	1900	38,0	78,0
T160M	3,00	4,00	470	9,30	75,9	0,62	2,7	1,3	1,8	61,50	0,0900	80,0	AT160M	150	1650	85	99,0	200	1650	600	95,0	30	1650	65	87,0	240,0	1650	45,0	101,0
T160L	4,00	5,50	470	12,00	76,9	0,63	2,5	1,2	1,7	83,40	0,1300	90,0	AT160L	150	1650	85	109,0	200	1650	600	105,0	30	1650	65	97,0	240,0	1650	45,0	111,0
T180L	5,50	7,50	450	18,00	70,0	0,63	3,5	1,5	1,9	116,77	0,2100	120,0	AT180L	260	200	100	119,0	400	200	600	139,0	-	-	-	-	480,0	1400	70,0	141,0
T200L	7,50	10,00	440	23,00	73,0	0,65	3,8	1,6	1,8	162,85	0,3700	150,0	AT200L	400	100	100	149,0	400	100	600	169,0	-	-	-	-	480,0	1100	70,0	171,0

16 P		16 POLI / POLES - V 230/400/50 Hz - dalla grandezza / from size 160 → 400/690/50 Hz																											
TIPO TYPE	Potenza Power		rpm	In 400 V A	Rend% Eff.%	Cosφ p.f.	Ia In	Ca Cn	Cmax Cn	Cn Nm	J kgm²	Peso Weight Kg	TIPO TYPE	DC				AC				DC - S				POS.DC			
	kw	hp												CF	Cicli/h Cycles/h	PB	Peso Weight Kg	CF	Cicli/h Cycles/h	PB	Peso Weight Kg	CF	Cicli/h Cycles/h	PB	Peso Weight Kg	CF	Cicli/h Cycles/h	PB	Peso Weight Kg
														Nm	∅o	Watt	Kg	Nm	∅o	VA	Kg	Nm	∅o	Watt	Kg	Nm	∅o	Watt	Kg
T132S	0,55	0,75	360	3,50	52,0	0,44	1,8	1,1	1,6	14,60	0,0300	55,0	AT132S	80	2000	55	66,0	90	2000	500	69,0	17	2000	35	64,0	120,0	2000	38,0	67,0
T132M	0,75	1,00	355	4,20	56,0	0,46	1,9	1,1	1,5	20,18	0,0380	66,0	AT132M	80	2000	55	79,0	90	2000	500	83,0	17	2000	35	75,0	120,0	2000	38,0	78,0
T160M	1,10	1,50	360	5,50	59,0	0,49	2,5	1,2	1,5	29,19	0,0900	80,0	AT160M	150	1650	85	99,0	200	1650	600	95,0	30	1650	65	87,0	240,0	1650	45,0	101,0
T160L	1,50	2,00	355	7,00	61,0	0,51	2,6	1,3	1,4	40,37	0,1300	90,0	AT160L	150	1650	85	109,0	200	1650	600	105,0	30	1650	65	97,0	240,0	1650	45,0	111,0
T180L	2,20	3,00	360	10,00	62,0	0,51	2,8	1,4	1,4	58,39	0,2100	120,0	AT180L	260	200	100	119,0	400	200	600	139,0	-	-	-	-	480,0	1400	70,0	141,0
T200L	3,00	4,00	350	13,00	65,0	0,51	3,1	1,5	1,4	81,89	0,3700	150,0	AT200L	400	100	100	149,0	400	100	600	169,0	-	-	-	-	480,0	1100	70,0	171,0

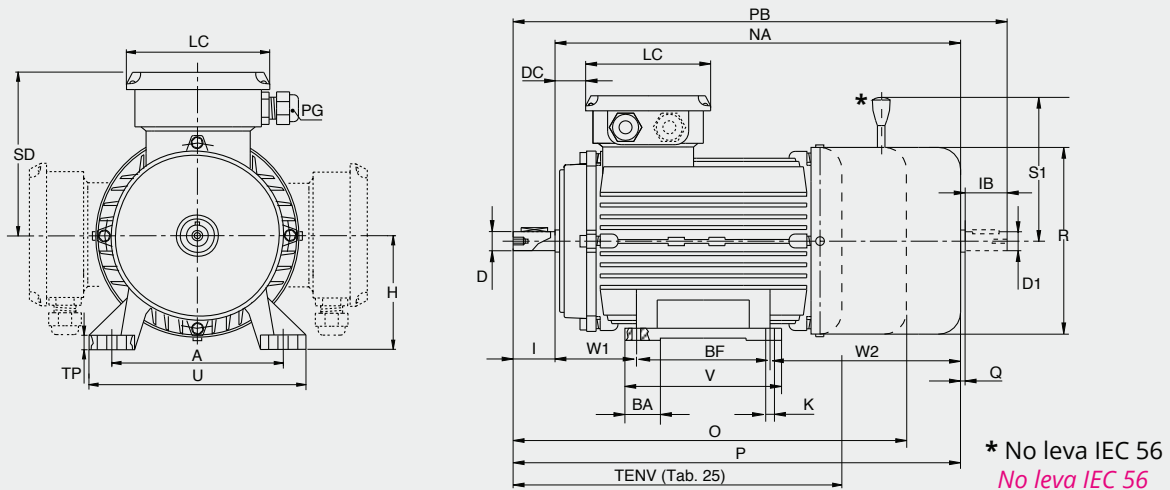
32 P		32 POLI / POLES - V 230/400/50 Hz - dalla grandezza / from size 160 → 400/690/50 Hz																											
TIPO TYPE	Potenza Power		rpm	In 400 V A	Rend% Eff.%	Cosφ p.f.	Ia In	Ca Cn	Cmax Cn	Cn Nm	J kgm²	Peso Weight Kg	TIPO TYPE	DC				AC				DC - S				POS.DC			
	kw	hp												CF	Cicli/h Cycles/h	PB	Peso Weight Kg	CF	Cicli/h Cycles/h	PB	Peso Weight Kg	CF	Cicli/h Cycles/h	PB	Peso Weight Kg	CF	Cicli/h Cycles/h	PB	Peso Weight Kg
														Nm	∅o	Watt	Kg	Nm	∅o	VA	Kg	Nm	∅o	Watt	Kg	Nm	∅o	Watt	Kg
T180L	1,50	2,00	160	9,00	58,0	0,42	2,6	1,3	1,5	89,57	0,2100	120,0	AT180L	260	200	100	119,0	400	200	600	139,0	-	-	-	-	480,0	1400	70,0	141,0
T200L	2,20	3,00	155	12,00	60,0	0,44	2,8	1,3	1,5	135,61	0,3700	150,0	AT200L	400	100	100	149,0	400	100	600	169,0	-	-	-	-	480,0	1100	70,0	171,0

## Dimensioni motori trifase autofrenanti e doppia polarità autofrenanti serie AT - AD - AI

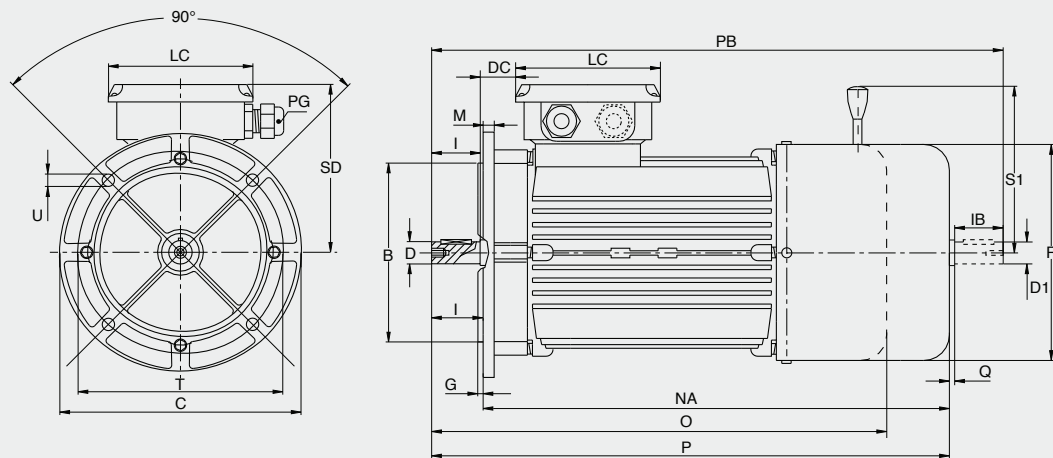
Dimensions of three-phase brake motors and two-speed brake motors series AT - AD - AI

In generale dalla grandezza 71 ÷ 200 piedi riportati / In generale dalla grandezza 71 ÷ 200 piedi riportati

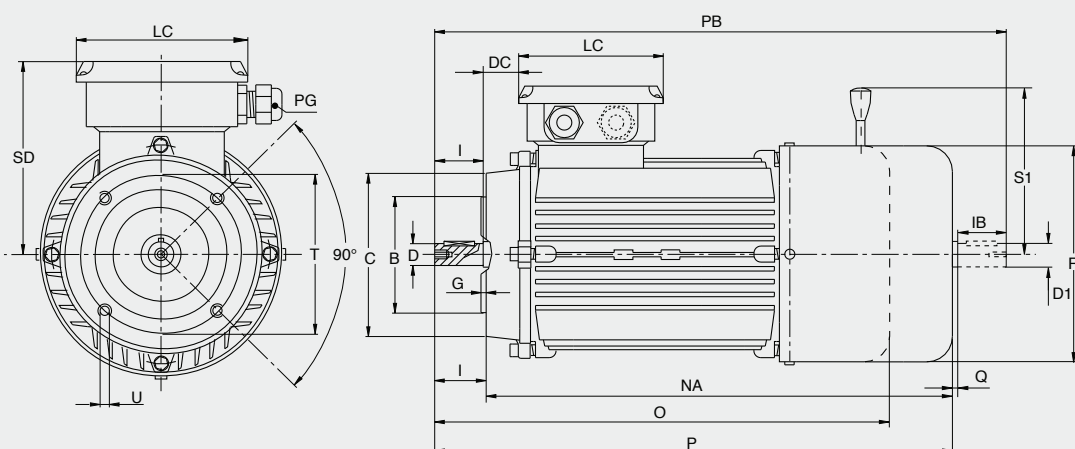
**B3**



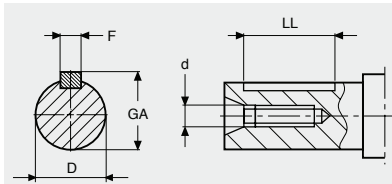
**B5**



**B14**



Tab. 37



Grand. / Size	50	56	63	71	80	90	100	112	132	160	180	200
F	3	3	4	5	6	8	8	8	10	12	14	16
D	9	9	11	14	19	24	28	28	38	42	48	55
GA	10.2	10.2	12.5	16.0	21.5	27.0	31.0	31.0	41.0	45.0	52.5	59.0
d		M4	M4	M5	M6	M8	M10	M10	M12	M16	M16	M20
LL	15	15	15	20	30	40	50	50	60	100	90	100

Grand. Size	Dimensioni / Dimensions																							B3	
	D1	D	I	A	BF	K	H	W1	W2	NA	O*	PG	R	SD	TP	U	V	PB	Q	LC	DC	IB	BA	P	S1
56	9	9	20	90	71	6	56	36	105	212	-	M16	110	108	10	108	90	255	3	93	15	20	25	232	-
63	11	11	23	100	80	7	63	40	119	239	233	M16	123	117	10	120	105	288	3	93	12	23	27	262	98
71	11	14	30	112	90	8	71	48	128	266	245	M16	137	124	11	136	108	322	3	93	23	23	24	296	98
80	14	19	40	125	100	9	80	54	144	298	278	M20	156	141	13/14	154	125	371	3	115	26	30	30	338	111
90S	14	24	50	140	100	10	90	59	151	310	325	M20	176	150	15	170	130	395	5	115	29	30	30	360	129
90L	14	24	50	140	125	10	90	59	151	335	350	M20	176	150	13/15	170	155	420	5	115	29	30	32	385	129
100	24	28	60	160	140	13	100	63	174	377	404	M20	194	159	15/16	192	175	492	5	115	33	50	32	437	139
112	24	28	60	190	140	13	112	72	197	409	388	M20	218	172	15	224	176	525	6	115	35	50	34	469	161
132S	28	38	80	216	140	14	132	89	253	482	463	M32	258	192	16/18	260	180	628	6	123	48	60	37	562	186
132M	28	38	80	216	178	14	132	89	253	520	500	M32	258	192	16/18	260	218	666	6	123	48	60	37	600	186
160M	42	42	110	254	210	13	160	108	309	627	602	M32	315	246	18	318	260	856	9	187	56	110	52	737	242
160L	42	42	110	254	254	13	160	108	309	671	645	M32	315	246	18	318	304	900	9	187	56	110	52	781	242
180	-	48	110	280	280	13	180	120	325	725	-	M32	348	260	24	346	330	-	-	187	51	-	42	835	320

Grand. Size	Dimensioni / Dimensions																							B5	
	D1	D	I	B	C	T	G	M	NA	O*	PG	R	SD	U	PB	Q	LC	DC	IB	P	S1				
56	9	9	20	80	120	100	2,5	8,5	212	-	M16	110	108	7,0	255	3	93	15	20	232	-				
63	11	11	23	95	140	115	2,5	10,0	239	233	M16	123	117	9,5	288	3	93	12	23	262	98				
71	11	14	30	110	160	130	3,0	10,0	266	245	M16	137	124	9,5	322	3	93	23	23	296	98				
80	14	19	40	130	200	165	3,0	11,0	298	278	M20	156	141	12,0	371	3	115	26	30	338	111				
90S	14	24	50	130	200	165	3,5	10,0	310	325	M20	176	150	12,0	395	5	115	29	30	360	129				
90L	14	24	50	130	200	165	3,5	10,0	340	350	M20	176	150	12,0	420	5	115	29	30	385	129				
100	24	28	60	180	250	215	4,0	14,0	377	404	M20	194	159	14,5	492	5	115	33	50	437	139				
112	24	28	60	180	250	215	4,0	14,0	409	388	M20	218	172	14,5	525	6	115	35	50	469	161				
132S	28	38	80	230	300	265	4,0	20,0	482	463	M32	258	192	14,5	628	6	123	48	60	562	186				
132M	28	38	80	230	300	265	4,0	20,0	520	500	M32	258	192	14,5	666	6	123	48	60	600	186				
160M	42	42	110	250	350	300	5,0	20,0	627	602	M32	315	246	18,5	856	9	187	56	110	737	242				
160L	42	42	110	250	350	300	5,0	20,0	671	645	M32	315	246	18,5	900	9	187	56	110	781	242				
180	-	48	110	250	350	300	5,0	20,0	725	-	M32	348	260	19,0	-	-	187	51	-	835	320				

Grand. Size	Dimensioni / Dimensions																							B14	
	D1	D	I	B	C	T	G	NA	O*	PG	R	SD	U	PB	Q	LC	DC	IB	P	S1					
50B	-	9	20	50	80	65	2,5	178	-	M16	100	105	M5	-	-	93	3,5	-	198	-					
56	9	9	20	50	80	65	2,5	212	-	M16	110	108	M5	255	3	93	15,0	20	232	-					
63	11	11	23	60	90	75	2,5	239	233	M16	123	117	M5	288	3	93	12,0	23	262	98					
71	11	14	30	70	105	85	3,0	266	245	M16	137	124	M6	322	3	93	23,0	23	296	98					
80	14	19	40	80	125	100	3,0	298	278	M20	156	141	M6	371	3	115	26,0	30	338	111					
90S	14	24	50	95	140	115	3,0	310	325	M20	176	150	M8	395	5	115	29,0	30	360	129					
90L	14	24	50	95	140	115	3,0	340	350	M20	176	150	M8	420	5	115	29,0	30	385	129					
100	24	28	60	110	160	130	4,0	377	404	M20	194	159	M8	492	5	115	33,0	50	437	139					
112	24	28	60	110	160	130	4,0	409	388	M20	218	172	M8	525	6	115	35,0	50	469	161					
132S	28	38	80	130	200	165	4,0	482	463	M32	258	192	M10	628	6	123	48,0	60	562	186					
132M	28	38	80	130	200	165	4,0	520	500	M32	258	192	M10	666	6	123	48,0	60	600	186					
160M	42	42	110	180	250	215	4,0	627	602	M32	315	246	M12	856	9	187	56,0	110	737	242					
160L	42	42	110	180	250	215	4,0	671	645	M32	315	246	M12	900	9	187	56,0	110	781	242					

O\* = Quota per freno serie S  
 Grandezza 200 autofrenante disponibile su richiesta B14 -  
 grandezze 180 / 200 disponibili su richiesta  
 \*\* vedere pag. 45 - Tab. 16 B

O\* = Value for series S brake  
 Size 200 self-braking available on request B14 - sizes 180 / 200  
 available on request  
 \*\* see page 45 - Tab. 16 B